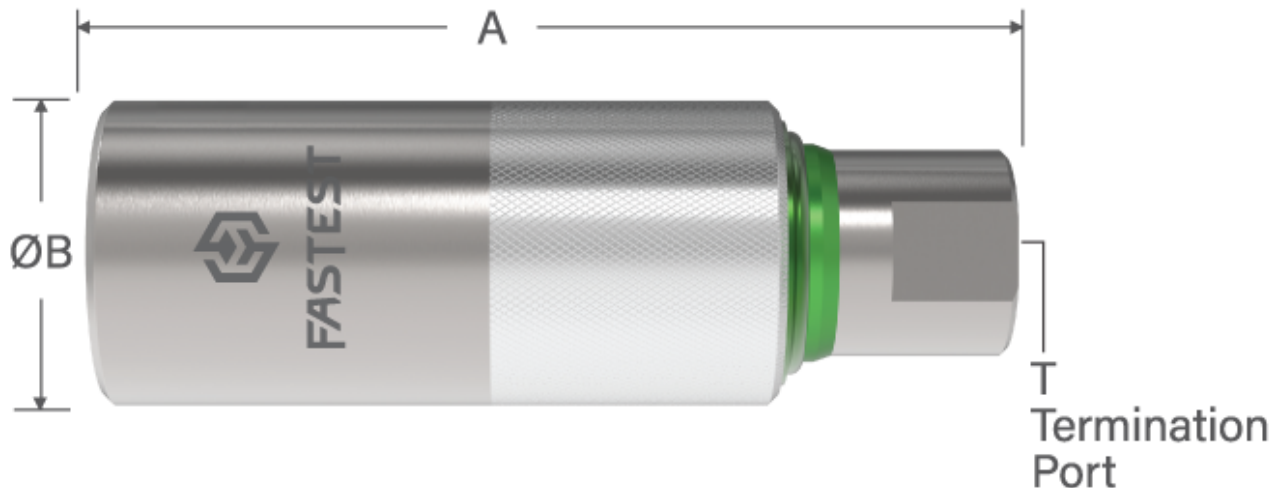




60 Manual actuated Connection Tool for: -4 [7/16-20] 45deg Flare, 750psi (51.7bar) pressure, 1/8 NPT Female termination, SS, Anodized Aluminum construction with Buna-N seal materials.

SKU: 60GA04



Actuation: Sleeve

Pressure Rating: 51.7bar (750psi)

Vacuum Rating: Vacuum

Leak Rate Capability: 1E-5cc/s He

Connection / Application Method: Sleeve

Grip Method: Threaded Grip / Collets

Valved / Not Valved: Not Valved



Dim A: 74.93mm (2.95in)

Dim B: 25.15mm (0.99in)

Termination Port (T): 1/8 NPT

Max Termination Torque: 16N-m (12ft-lbs)