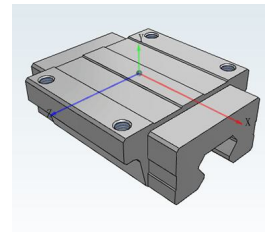


**3Dfindit**

powered by  **CADENAS**



**AirTAC**

**linear guide**

# CONTENT

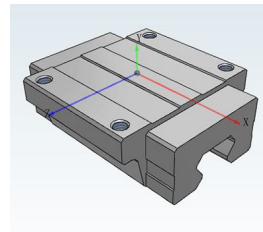
---

Augmented Reality (AR) - Digital meets real	2
3D preview of linear guide	3
Integrate AirTAC catalog inside your CAD System	4
2D derivations and Bill-Of-Material (BOM)	5
Technical drawings	6
Technical data	7
Get a free E-Learning training for AirTAC catalog	8



# 3Dfindit

powered by  CADENAS

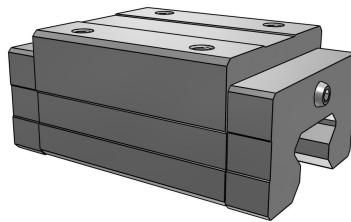


# AirTAC

## linear guide

### AR

Augmented Reality, often shortened to AR, is a technology that blends digital information into the real world. For more information, please click [here](#) or directly try yourself by scanning the QR code with your phone.



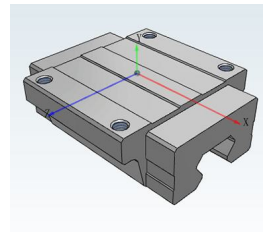
Please scan the QR code above and open on AR-enabled device.

There is a possibility that the configuration will fail. If that happens, please try a different product.



# 3Dfindit

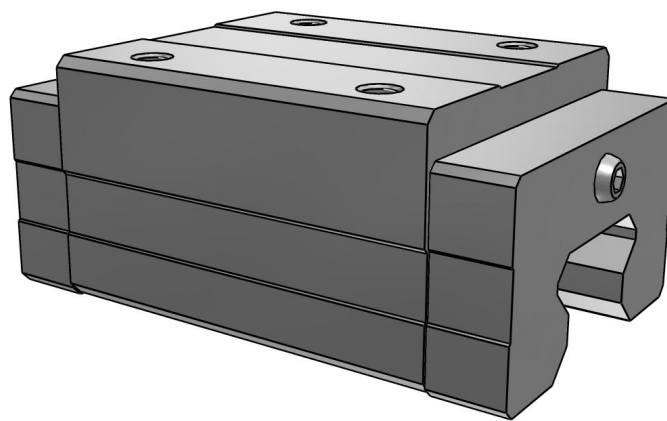
powered by  CADENAS



# AirTAC

## linear guide

### 3D view



## HOW TO ACTIVATE 3D?

To activate the interactive 3D view in Acrobat Reader, you need to select, at the top of the page, **Options** and then **Trust this document**



**Zoom**  
Moves you toward or away from objects in the scene when you drag vertically. You can also zoom with the hand tool by holding down Shift as you drag.



**Pan**  
Moves the model vertically and horizontally only. You can also pan with the hand tool: Ctrl-drag.

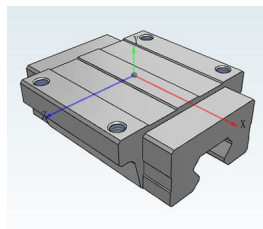


**Rotate**  
Turns 3D objects around relative to the screen. How the objects move depends on the starting view, where you start dragging and the direction in which you drag.



# 3Dfindit

powered by CADENAS

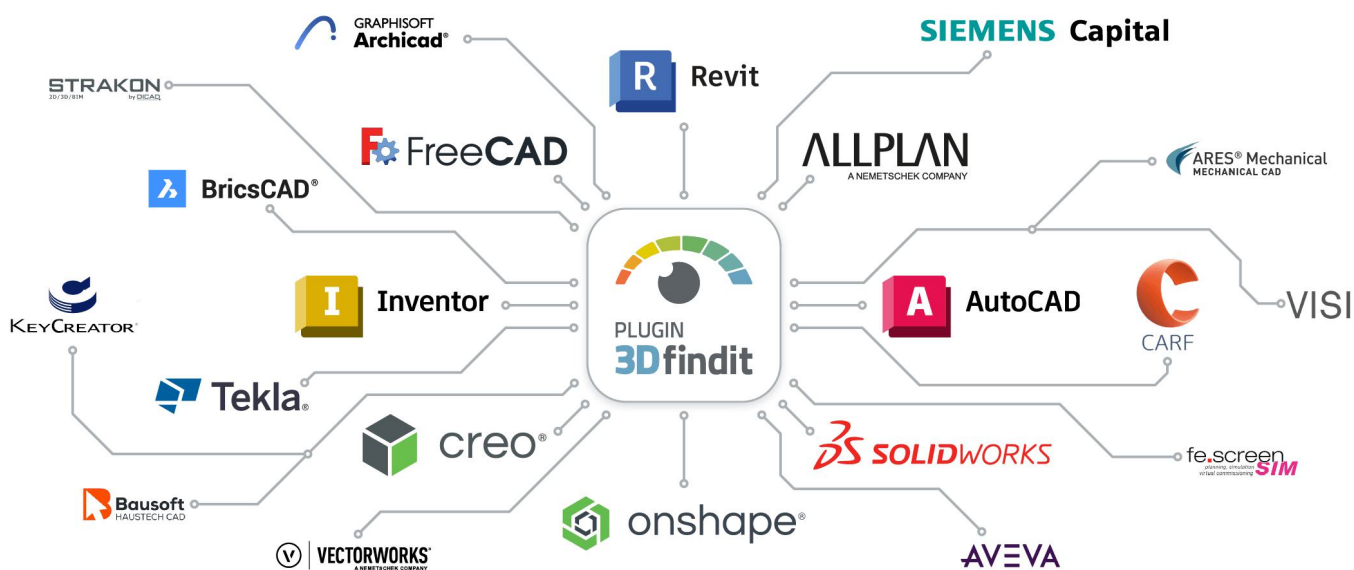


# AirTAC

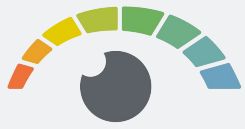
## linear guide

## CAD plugins

With our CAD integrations, you can use 3Dfindit directly in your CAD system and make your work easier with additional comfort functions, such as replacing a part and many more.

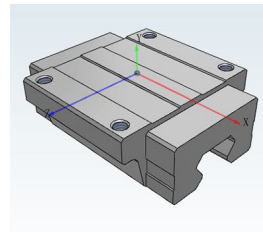


# To the plugins



# 3Dfindit

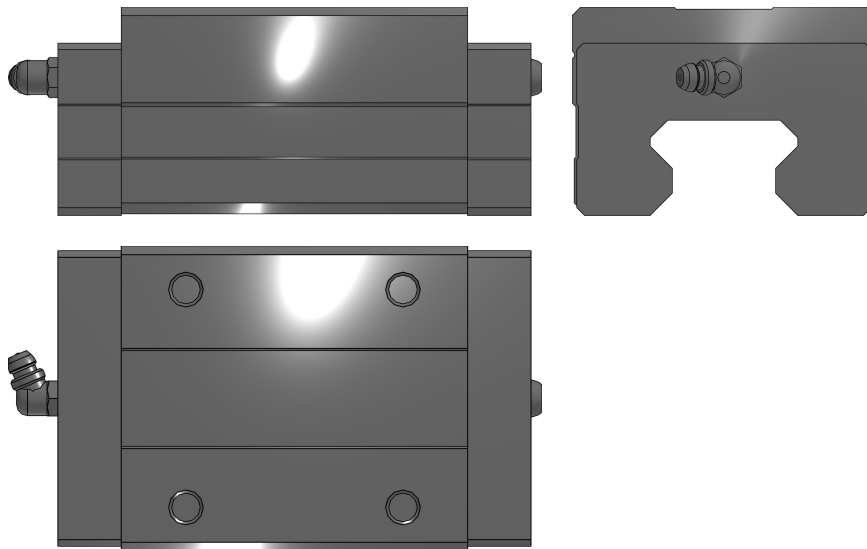
powered by  CADENAS



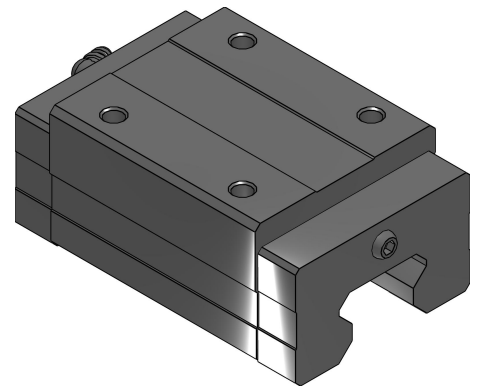
# AirTAC

## linear guide

### 2D derivation



### ISO view



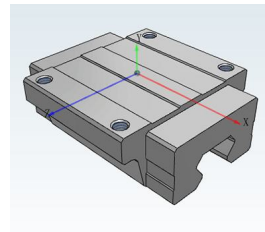
## Bill-Of-Materials

N°	Description	Amount
1.1	LSH35BK-HN-N-N-M6	1



**3Dfindit**

powered by  **CADENAS**



**AirTAC**

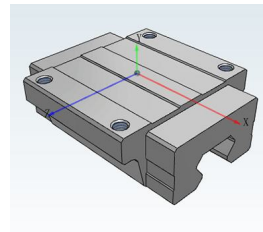
**linear guide**

Technical drawings



# 3Dfindit

powered by  CADENAS



# AirTAC

## linear guide

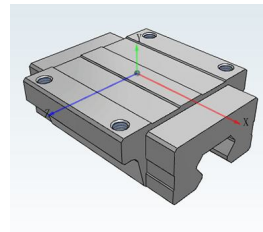
### Technical data

ORDER (Ordering code)	LSH35BK-HN-N-N-M6
WOR (wide type of rail)	35
BS (block style)	Square style
BT (block type)	Standard type
ACCE (accuracy)	N: Normal
PL (Pairing level)	N: Normal
MT (Oil mouth type)	M6 Oil mouth
DA (Dustproof accessory)	None
A ()	50
B ()	50
C1 ()	79.8
K ()	16.2
D ()	12.6
M ()	M8X1.25
N ()	12



# 3Dfindit

powered by  CADENAS



# AirTAC

## linear guide

## E-Learning

Discover free training for 3Dfindit, the search engine for engineers, designers, and architects. Our 30 to 50-minute interactive courses provide you with comprehensive knowledge about the platform. Upon successful completion, you will receive a certificate. Start your first course now and master 3Dfindit!

### Become an Expert of Digital Engineering



## 3Dfindit

### Boost your career and get ready for Industry 4.0!

[Learn more](#)

[Start course](#)

[www.CADENAS.de](http://www.CADENAS.de)  
[www.3Dfindit.com](http://www.3Dfindit.com)

◀ VISIT US AT [3Dfindit.com](http://3Dfindit.com) NOW!