

**3Dfindit**

powered by  **CADENAS**



**AirTAC**

**linear guide**

# CONTENT

---

Augmented Reality (AR) - Digital meets real	2
3D preview of linear guide	3
Integrate AirTAC catalog inside your CAD System	4
2D derivations and Bill-Of-Material (BOM)	5
Technical drawings	6
Technical data	7
Get a free E-Learning training for AirTAC catalog	8



# 3Dfindit

powered by  CADENAS

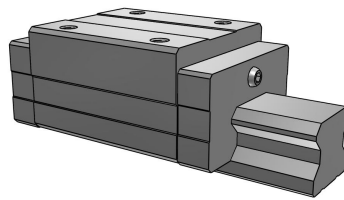


# AirTAC

## linear guide

### AR

Augmented Reality, often shortened to AR, is a technology that blends digital information into the real world. For more information, please click [here](#) or directly try yourself by scanning the QR code with your phone.



Please scan the QR code above and open on AR-enabled device.

There is a possibility that the configuration will fail. If that happens, please try a different product.



# 3Dfindit

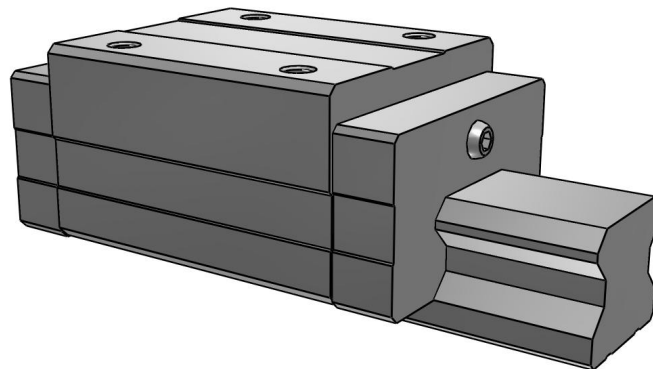
powered by  CADENAS



# AirTAC

## linear guide

### 3D view



## HOW TO ACTIVATE 3D?

To activate the interactive 3D view in Acrobat Reader, you need to select, at the top of the page, **Options** and then **Trust this document**

#### Zoom

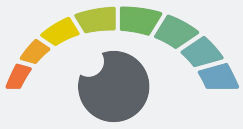
Moves you toward or away from objects in the scene when you drag vertically. You can also zoom with the hand tool by holding down Shift as you drag.

#### Pan

Moves the model vertically and horizontally only. You can also pan with the hand tool: Ctrl-drag.

#### Rotate

Turns 3D objects around relative to the screen. How the objects move depends on the starting view, where you start dragging and the direction in which you drag.



# 3Dfindit

powered by CADENAS

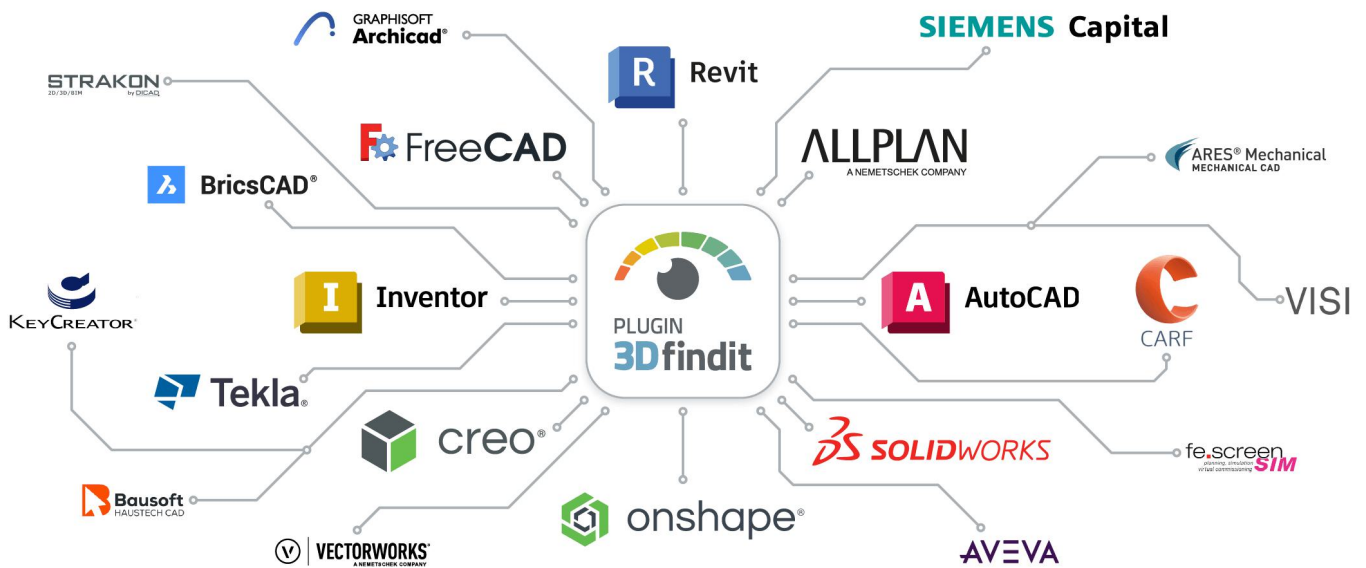


# AirTAC

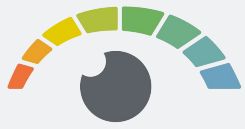
## linear guide

### CAD plugins

With our CAD integrations, you can use 3Dfindit directly in your CAD system and make your work easier with additional comfort functions, such as replacing a part and many more.



To the plugins



# 3Dfindit

powered by  CADENAS

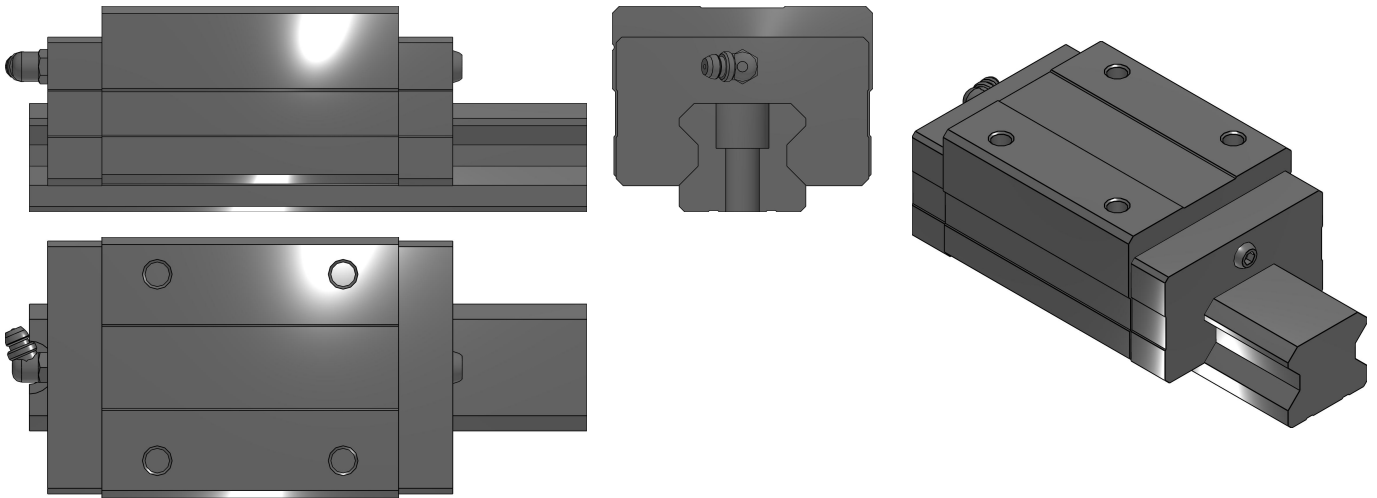


# AirTAC

## linear guide

### 2D derivation

### ISO view



## Bill-Of-Materials

N°	Description	Amount
1	LSH35HN1X150S0AN-M6	1
1.1	LSH35RLX150-S0-N-D	1
1.2	LSH35BK-HN-N-N-M6	1



3Dfindit

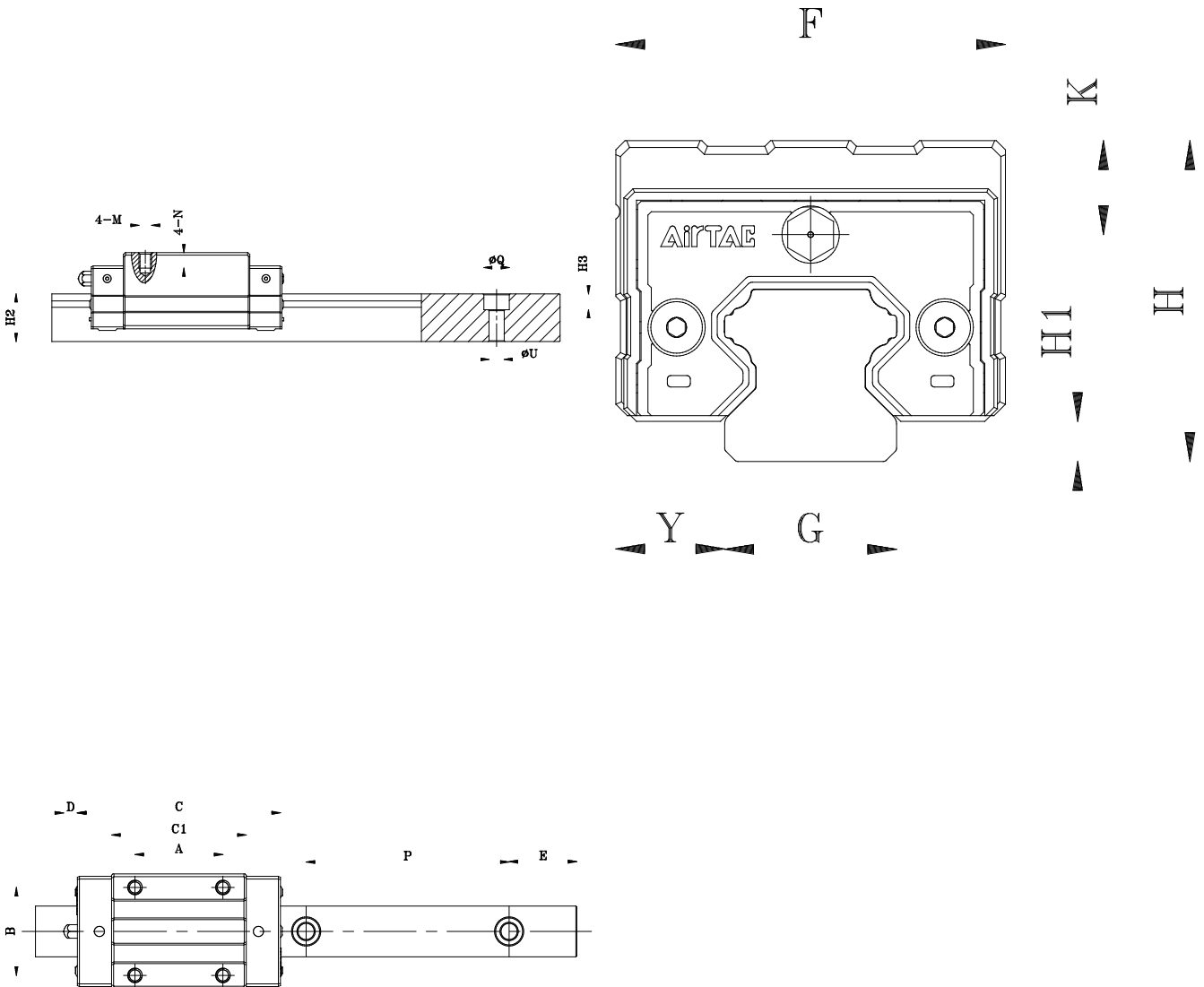
powered by  CADENAS



AirTAC

linear guide

### Technical drawings





# 3Dfindit

powered by CADENAS



# AirTAC

## linear guide

### Technical data

CNSTYPECODE (Ordering code)	LSH35HN1X150S0AN-M6
RBBC (Rail and Block surface treatment)	Without black chrome
WOR (Wide of rail)	35
BS (block style)	Square style
BT (block type)	Standard type
NOB (Number of block)	One
L (Length of rail)	150.0
S (Right margin or Left margin)	0.0
PRE (preload)	Clearance
ACCE (accuracy)	Normal
MT (Oil mouth type)	M6 Oil mouth
CT (cover type)	Combination cover
RLT (Rail lock type / mm)	Up locked
DA (Dustproof accessory)	None
E (Right margin)	70.0
H ()	55
H1 ()	7.0
F ()	70
Y ()	18.0
C ()	110.0
C1 ()	79.8
A ()	50
B ()	50
K ()	16.2
D ()	12.6
M ()	M8X1.25
N ()	12
T ()	0.0
T1 ()	0.0
G ()	34
H2 ()	29.0
P ()	80
Q ()	14.2
U ()	9.0
H3 ()	12.0



# 3Dfindit

powered by  CADENAS



# AirTAC

## linear guide

### E-Learning

Discover free training for 3Dfindit, the search engine for engineers, designers, and architects. Our 30 to 50-minute interactive courses provide you with comprehensive knowledge about the platform. Upon successful completion, you will receive a certificate. Start your first course now and master 3Dfindit!

**Become an Expert of Digital Engineering**



## 3Dfindit

**Boost your career and get ready for Industry 4.0!**

[Learn more](#)

[Start course](#)

[www.CADENAS.de](http://www.CADENAS.de)  
[www.3Dfindit.com](http://www.3Dfindit.com)

◀ VISIT US AT [3Dfindit.com](http://3Dfindit.com) NOW!